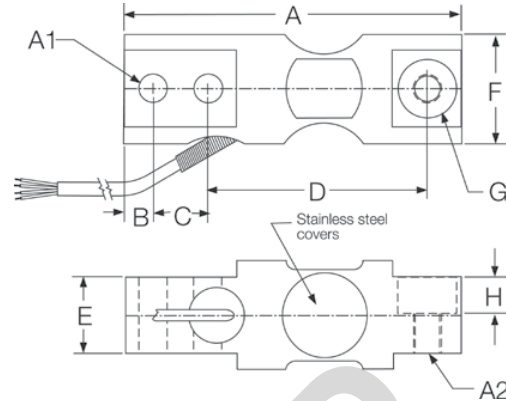


RL32155 Single-Ended Beam, Stainless Steel, IP67



Picture is a representation of actual product



SPECIFICATIONS

Full Scale Output:
2.0 mV/V

Bridge Resistance:
440 ohms, nominal w/voltage applied

Material/Finish:
Stainless steel

Temperature:
Compensated range
0°F to 150°F/-18°C to 65°C

Safe Overload:
200% Full scale

Rated Excitation:
6-15V DC

Nonlinearity:
0.03% Full scale

Hysteresis:
0.05% Full scale

Insulation Resistance:
5000 megaohms

Cable Color Code:

- White.....+ Excitation
- Blue.....- Excitation
- Green.....+ Signal
- Black.....- Signal
- Yellow.....+ Sense
- Red.....- Sense
- Orange.....Shield

Seal Type:
Environmentally sealed, IP67

Cable Length:
15 ft/4.6 m

Warranty:
Two-year limited warranty

Approvals:



DIMENSIONS

RATED CAPACITY	A	A1	A2	B	C	D	E	F	G	H
lb/inches										
1000-2000	6.13	.515	1/2 20 UNF-2B	.50	1.00	4.00	1.40	1.99	1.07 DIA.	.67
kg/mm										
453.9-907.2	155.7	13.08	1/2 20 UNF-2B	12.7	25.4	101.6	35.6	50.5	27.2 DIA.	17.0

ORDER INFORMATION

LOAD RATING	PART #	PRICE
1000 lb (453.9 kg)	31912	Consult
2000 lb (907.2 kg)	31913	Consult
Load Cup	31911	Consult

INTERCHANGEABLE PRODUCTS

MANUFACTURER	MODEL
Mettler-Toledo®	11785700A
Mettler-Toledo	11785600A, 12744300B
Mettler-Toledo	11786900A, 11788500A

RICE LAKE WEIGHING SYSTEMS